

SYNCHRONISING RELAY

Electronic relay for synchronization of two alternating current generators comparing their voltage, phase and frequency.



ALTERNATING CURRENT - NAVAL SERIES

- Precisión en fase $\pm 2,5\%$
- Time: $\pm 0,5$ s.
- Frequency: 50 or 60 Hz
- Un Range: $\pm 15\%$

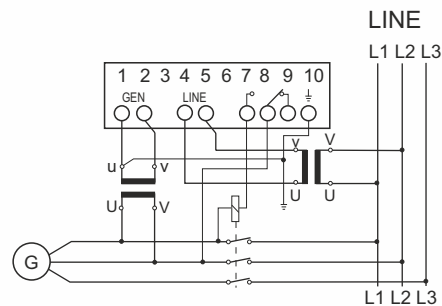


Model		RSC2
Dimensions	mm	144x144
Approx. weight	Kg.	2,00
SYNCHRONISING RELAY		
Un	V	2x110, 230, 400 or 440

A check adjusts the phase difference from 5 to 40 electrical degrees, and another adjusts the minimum time from 0.2 to 2,5 secs, during which this difference must be maintained.

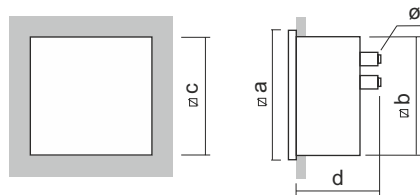
When both FORMeters go into the set limits, the output relay operates the synchronizing switch and an LED indicates that coupling may be carried out. To adjust operating limit, remove security cover or screw.

Connection diagrams



Output relay: 1 switching contact (max. 200 VA, 250 V, 5 AAC.)

Dimensions (mm)



Model	Ranges	∅a	∅b	∅c	d	ø
RSC2	100÷440 V	144	135	138 ⁺¹	134	M.4


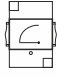

SPECIALITIES

Dimensions												
	48	72	96	144	80 x 64	105 x 80	130 x 100	MODULAR	48	72	96	144
POINTERS												
Knife pointer + fine divisions	---	●	●	●	---	---	---	---	---	---	---	---
Knife pointer + fine divisions + mirror	---	●	●	●	●	---	---	---	---	---	---	---
Red pointer, set externally		●			●		---					
SCALE												
Non standard scale (*)		●			●		●		●		●	
Antiparallax scale	---	---	---	---	---	---	---	---	---	●	●	---
Black scale, white div., figures and pointer	---	●	●	●	●	---	---	---	---	---	---	---
Black scale, yellow div., figures and pointer	---	●	●	●	---	---	---	---	---	●	●	●
Double scale	---	●	●	●	●	---	---	---	---	●		
Double numbering	---	●	●	●	●	---	---	---	---	●	●	●
Red line		●			●		●		●		●	
Colour arc (until 20 mm)		●			●		●		●		●	
Add text (<10 letters)		●			●		●		●		●	
Non electrical unit measuring												
PROTECTION												
Naval series or tropicalized		●			●		●		●		●	
Protection IP43		●			●		---		---		●	
Housing protection IP54		●			---		---		---		●	
Terminal cover (protection IP20)	●	●	●	---	---	---	---	●	---	---	---	
Movil equipment and critical damping		●			●		---		---		●	
Frontal protection (IP65)	---	●	●	---	---	---	---	---	---	●	●	---
MISCELLANEOUS												
Makrolon glass		●			●		---		---		●	
Antireflecting glass		●			●		---		---		●	
Lighting 12, 24 V (with white scale)	---	●	●	●	---	●	●	---	---	●	●	
Indirect Lighting 12, 24 V (with black scale)	---	●	●	●	---	●	●	---	---	●	●	
Non vertical working position		●			●		●		●		●	
Rubber gasket (Panel)	---	●	●	---	---	---	---	---	---	---	---	---
MOVIN IRON METERS												
Non standard input (**)		●			●		●		●		---	
Calibrated for 150 or 400 Hz		●			●		●		●		---	
Calibrated in D.C.		●			●		●		●		---	
Accuracy 1%		●			●		●		●		---	
Insulation 3 kV		●			●		●		●		---	
750 to 1000V (with external box)		●			●		●		●		---	
Overload 200% (A, mA)		●			●		●		●		---	
Overload 500% (A, mA)		●			●		●		●		---	
Double range		●			●		●		●		---	
MOVING COIL AND MOVING COIL RECTIFIED METERS												
Non standard input (**)		●			●		●		●		●	
Insulation 3 kV		●			●		●		●		●	
Central zero		●			●		●		●		●	
Displaced zero		●			●		●		●		●	
Zero mechanically suppressed (max. 25%)		●			●		●		●		●	
Overload 200 or 500% (for Amm. A.C.)		●			●		●		●		●	
Non linear function scale (Ohm, db, etc.)		●			●		●		●		●	
Adjusted to specific internal resistance		●			●		●		●		●	
Accuracy		●			●		●		●		●	
600 up to 1000 V D.C.(with external box)		●			●		●		●		●	
>1.000+2.000V D.C.(with external box)		●			●		●		●		●	
>2.000+4.000V D.C (with external box)		●			●		●		●		●	
Full scale adjustable by potentiometer (±10%)	---	●	●	●	---	---	---	---	---	●	●	●
Double range		●			●		●		●		●	

(*) Scale: striped and numbered.

(**) Current or voltage required to move the needle at the end of the measurement zone.

SPECIALITIES

Dimensions										
	48	72	96	144	MODULAR	48	72	96	144	
INDUCTION WATTMETERS AND VARMETERS										
Central zero		●			●			●		
Displaced zero		●			●			●		
Non standard voltage		●			●			●		
Current 1 A		●			●			●		
Calibrated between 0,4 and 0,5 of appa. power		●			●			---		
Calibrated between 0,6 and 0,8 of appa. power		---			---			●		
Calibrated between 1,3 and 1,5 of appa. power		●			●			●		
Accuracy 1%		●			●			●		
ELECTRONIC WATTMETERS AND VARMETERS										
Calibrated to 400 Hz		●			●			●		
Current 1 A		●			●			●		
Accuracy 1%		●			●			●		
INDUCTION POWER FACTOR METERS										
Non standard voltage (single phase)		●			●			●		
Non standard voltage (three phase)		●			●			●		
Current 1A		●			●			●		
ELECTRONIC POWER FACTOR METERS										
Non standard voltage		●			●			●		
Scale 0-1-0 (single phase), 0,1-1-0,1 (three phase)		●			●			●		
Current 1A		●			●			●		